



# WORKSWELL GIS - 320 DRONE GAS IMAGING SYSTEM

---

## Datasheet

---

**Release date:** 25<sup>th</sup> of September 2018

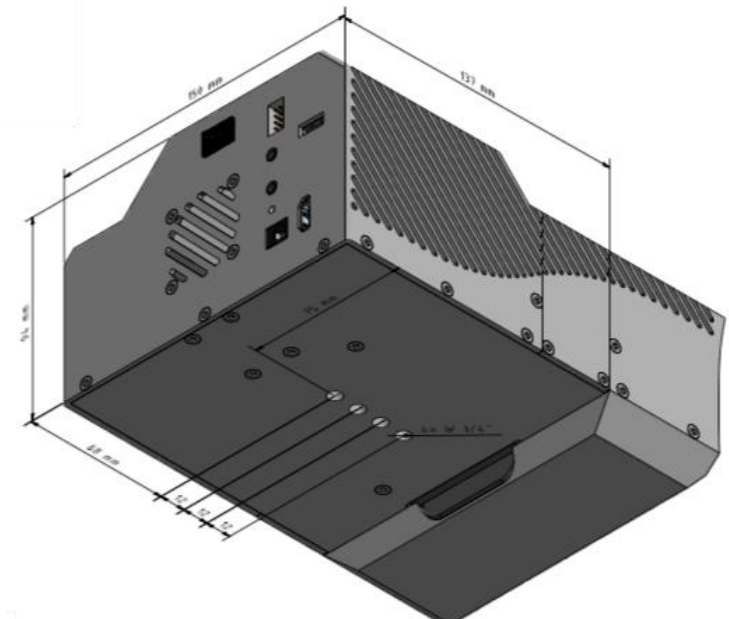
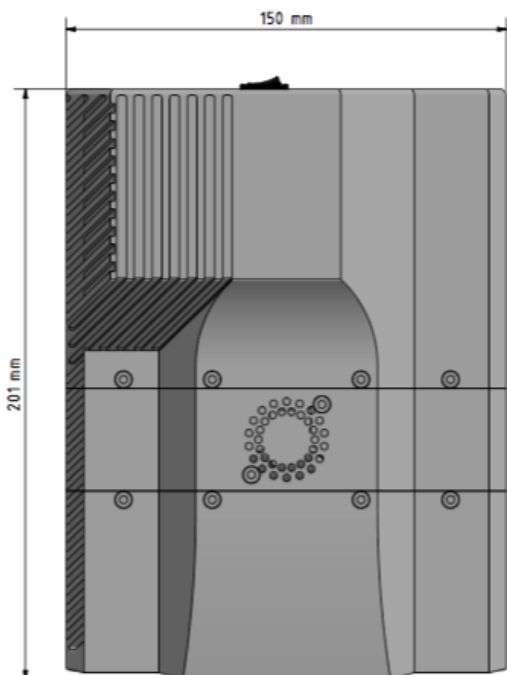
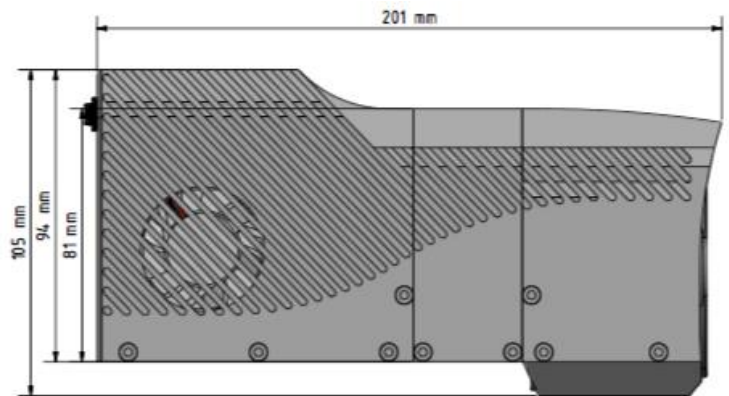
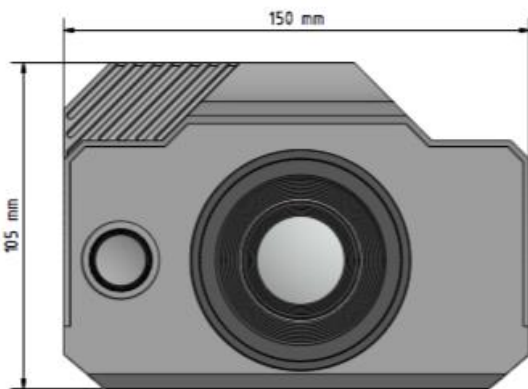
**Revision Number:** 1.1

# Workswell GIS-320 technical specification

Infrared Cooled Camera (MWIR)	
<b>Resolution</b>	320 x 240 pixels
<b>Temperature ranges</b>	Optional temperature ranges between -20 °C...+350 °C
<b>Temperature sensitivity</b>	0.015 °C (15 mK)
<b>Frequency</b>	25Hz
<b>Spectral range</b>	3.2 – 3.4 μm, Cooled InSb FPA detector (MWIR)
<b>Lens</b>	24° x 18°
<b>Focus</b>	Automatic Motorized focusing, minimum focus distance 0.5 m
<b>Zoom</b>	Digital zoom 1 – 4x in infrared image
<b>Special GAS detection mode</b>	Yes
<b>Temperature level adjustments</b>	Yes, automatic, manual or moving span
Digital Visual Camera	
<b>Resolution</b>	1 920 x 1 080 pixels (Full HD)
<b>Focus</b>	Autofocus
<b>Zoom</b>	10x optical zoom with vibration compensation
Remote control & Video output	
<b>Digital interfaces</b>	S.BUS CAN bus (for DJI control and GPS coordinates) USB 2.0 (data transfer, video recording, FW update) MavLink
<b>Video output</b>	Digital HDMI 720p (1280 x 720px)
Memory and data recording	
<b>Image recording (saving on internal memory or directly to Flash drive)</b>	Radiometric JPEG Radiometric TIFF (Pix4D compatible) Non-Radiometric Digital camera JPEG Full HD
<b>Video recording (IR)</b>	Radiometric full-frame IR recording, 30Hz (raw data recording)
<b>GPS tagging</b>	MavLink External GPS A2 or A3 DJI compatible via CAN bus interface
<b>Memory</b>	Internal disk (only for image recording) Direct saving to Flash drive (for images and videos)



Temperature Measurement functions	
Measurement functions	Max temperature, Min temperature, Centre temperature
File format	Saved in radiometric (raw) format in JPEG or TIFF
Following gases are detected	
Gases	Benzene, Ethanol, Ethyl-benzene, Heptane, Hexane, Isoprene, Methanol, MEK, MIBK, Octane, Pentane, 1-Pentene, Toluene, m-xylene, Butane, Methane, Propane, Ethylene and Propylene.
Environmental data, Power supply & dimensions	
Input supply voltage	10 – 28 VDC, consumption 18 W (starting consumption 21.5 W)
Operating temperature	-20°C to +50°C
IP protection	IP40
Dimensions and weight	201 x 150 x 105 mm, <1.6kg



Workswell GIS-320 2nd Gen





## **Contacts**

### **Sales Department**

**Mobile:** +420 725 955 464

**E-mail:** [sales@workswell.eu](mailto:sales@workswell.eu)

### **Company contact details**

**Mobile:** +420 725 877 063

**E-mail:** [info@workswell.eu](mailto:info@workswell.eu)

**Web:** [www.workswell.eu](http://www.workswell.eu)

### **Headquarters**

Workswell s.r.o.

U Albrechtova vrchu 12

155 00, Prague 13

Czech Republic

### **Partners Worldwide**

Visit our [partner list online](#)

